

# PULSE 2i Premium Wireless Streaming Speaker

## Owner's Manual

Welcome to Bluesound, Hi-Fi for the Wi-Fi generation.

Bluesound transforms your local digital music library by putting the music of your life right at your fingertips. The clutter of CDs is relegated to a previous era! Your smartphone, desktop or tablet running the Bluesound App now controls your music.

Your Bluesound music system is also a sophisticated Internet streaming device that allows you to listen to a wide range of Internet music service providers. Bluesound also provides access to music subscription services featuring extensive catalogs of millions of songs streamed to you over the internet in real time. TuneIn Radio makes every radio station in the world a local station via the magic of the internet.

To take full advantage of all these Bluesound capabilities requires a robust wired or wireless home network and a reliable high speed Internet connection, provided by a DSL or Cable modem. Internet access must be contracted and installed by your local Internet Service Provider. For remote areas there are satellite options for high speed internet access.

Before signing on to a music subscription or cloud service we suggest that you review your Internet service plan and be sure you have enough internet speed and bandwidth to provide uninterrupted streaming. Most internet service providers offer multiple plans and can help you make the best choice.

For detailed instructions on how to control your Bluesound player, visit our website at : [www.bluesound.com](http://www.bluesound.com).

## Included Accessories



120V AC Power Cord



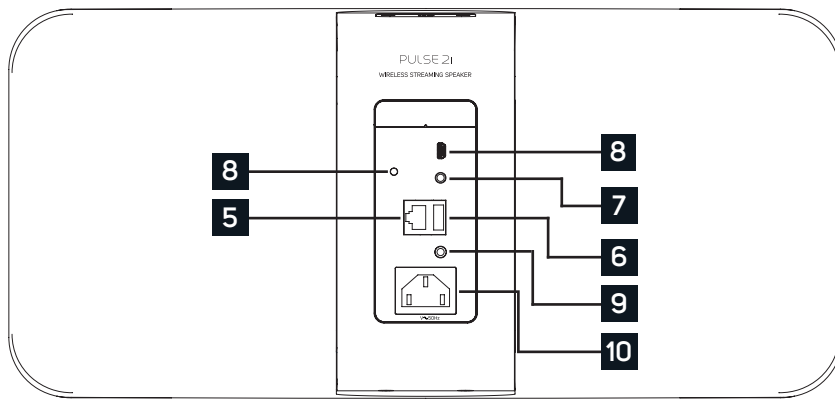
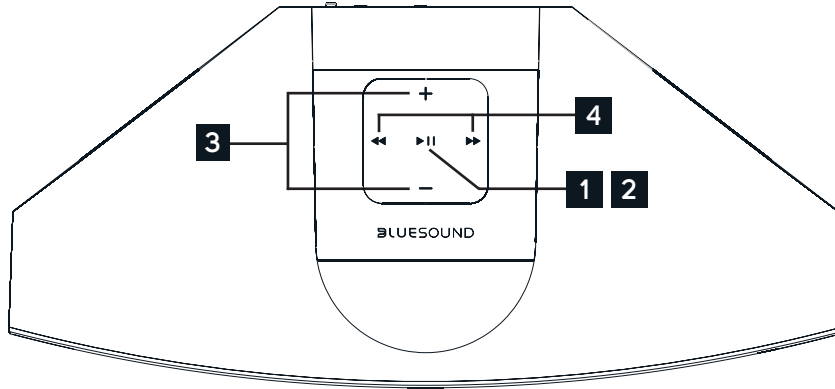
Ethernet Cable



230V AC Power Cord



Mini Jack to Toslink Adaptor



## 1 STATUS INDICATOR:

Below is a table of the LED blink codes and their corresponding descriptions.

LED BLINK CODE	DESCRIPTION
Short blue flash, then red	Powering up, rebooting the unit
Solid green	Hotspot Mode
Flashing green	Connecting to Network shares
Solid red	Cannot boot; drive error
Red pulse	No internet gateway
White pulse	Software update available
Solid red	Upgrade mode
Alternate flashing red and green	Upgrading...
Flashing blue	Mute mode
Solid white	Indexing
Solid blue	Connected to Network – ready to use with Bluesound App
Flashing red	Factory reset in progress
Solid purple	Hotspot timed out

- 2 PLAY/PAUSE BUTTON:** This button has multiple functions – a visual indicator of network connectivity and a PLAY/PAUSE button. For a full listing of LED Blink Codes, please see #1 – Blink Codes. For an ungrouped Player, press the button to Play and Pause the stream. If listening to an Internet radio stream, the Pause function will work for 30 seconds. At this point, the buffer is full and the stream will Stop. When a Player is grouped, pressing the PLAY/PAUSE button will Mute that Player while other Players continue the stream. The Player's LED will flash blue when muted.
- 3 +, - (VOLUME):** Toggle either button to vary volume level. Volume level will not change if you press and hold either button.  
**(+):** Increase volume level  
**(-):** Decrease volume level
- 4 PREVIOUS TRACK/NEXT TRACK:** These buttons can be used to go back to the previous track ◀◀ or skip to the next track ▶▶ in your current playlist.
- 5 LAN PORT:** The LAN PORT connection can be used with the Ethernet cable provided. This is an optional connection since the PULSE 2i can be connected to the network through a Wi-Fi connection to your router. To setup the PULSE 2i using the LAN Port a Wired Ethernet connection is required. Using the Ethernet cable provided, connect one end of the Ethernet cable to the LAN port of your wired Ethernet broadband router and the other end to the PULSE 2i's LAN port.
- 6 USB (TYPE A):** Connect a USB mass storage device to the USB input. Typical USB mass storage devices compatible with the PULSE 2i include portable flash memory devices and external hard drives (FAT32 formatted).
- 7 OPTICAL IN/ANALOG IN:** Using a 3.5mm Stereo Audio Cable (not provided), connect one end to the Analog In of the PULSE 2i and the other end to the corresponding analog output of other compatible devices. The source will show as an Analog Input in the Navigation Drawer of the Bluesound app. Using an Optical to 3.5mm convertor (included with the PULSE 2i), a digital optical source can also be added. This will appear as Optical Input in the Navigation Drawer.
- 8 SERVICE:** Use the SERVICE port in conjunction with USB (Type B Mini) to initially load firmware on the Player. This is not for consumer use. Only Authorized Bluesound Service personnel can access this USB port and SERVICE control button.
- 9 HEADPHONE JACK:** A 3.5mm headphone jack is located on the back of the PULSE 2i.
- 10 AC MAINS INPUT:** The PULSE 2i comes supplied with two separate AC power cords. Select the AC power cord appropriate for your region. Before connecting the plug to the wall outlet, connect firmly the other end of the AC power cord to PULSE 2i's AC Mains input socket. Never force the plug into a wall outlet. An adaptor may be necessary in certain regions. Always disconnect the plug from the wall outlet first, before disconnecting the cable from the PULSE 2i's AC Mains input socket.

# WARNING!

THIS IS A FACTORY RESET OF YOUR PLAYER. ALL CUSTOMIZATION INCLUDING WI-FI NETWORK CONFIGURATION, FILE SHARES AND SAVED PLAYLISTS WILL BE LOST. YOU WILL HAVE TO RE-CREATE THESE ONCE COMPLETE. THIS PROCESS IS ONLY RECOMMENDED IF YOUR PLAYER IS NOT FUNCTIONING AND AN INTERNET FIRMWARE UPGRADE HAS FAILED. FOR ANY QUESTIONS OR CONCERNS CONTACT AN AUTHORIZED BLUESOUND CUSTOMER REPRESENTATIVE BEFORE PROCEEDING!

## Steps to Factory Reset:

1. Disconnect the player from electrical power.
2. Wait 10 seconds
3. Reconnect the power
4. The LED will flash Blue – once you see it turn Red, touch and hold the Play/Pause icon (it will immediately turn Green and then back to Red) – do not let go of the LED.
5. Once the LED turns back to Red, continue to hold the button for 30 seconds.
6. After 30 seconds, the LED will begin to blink red – then release the button.

All customization to the Bluesound player will be removed and restored to factory settings.

**IMPORTANT:** Removing your finger from the LED at any time before the LED begins flashing red will cancel the factory reset and leave the player in Upgrade Mode. Just start the steps again to factory reset the player.

You will know the factory reset is successful if the player returns to Hotspot mode (wireless connection - the LED will turn solid green). If the player is connected to your network through a wired Ethernet connection, it will simply connect as if it was a new player (LED will turn solid blue).

# BLUESOUND®

© Bluesound International. Bluesound, the stylized wordmark and "B" logotype, the phrase "HiFi for a wireless generation", PULSE 2i and all other Bluesound product names and taglines are trademarks or registered trademarks of Bluesound International, a division of Lenbrook Industries Limited. All other logos and services are trademarks or service marks of their respective owners.